

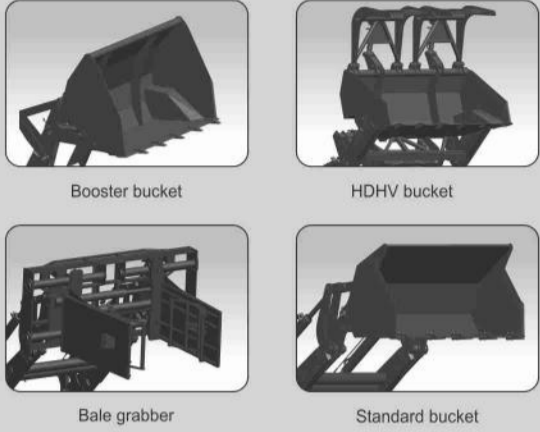
BULL ULTRA

BULL
India's No.1
Tractor Attachments

for industrial applications with 39 types of bucket options



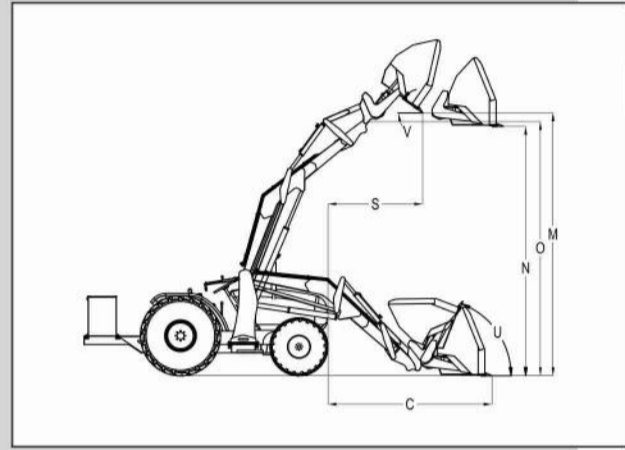
Optional Interchangeable Loader Bucket Attachments (39 Types)



Salient Features of Ultra Loader

- > Heavy Duty Loader.
- > 360° Operator visibility.
- > 3-D positional valve mechanism for enhanced operator comfort.
- > Loader detachable from the tractor within 5 minutes.
- > Sturdy and elegant construction.
- > Wear bushes & pins provided in all joints.
- > Low diesel consumption.
- > BQRSL Mechanism : Enables exchanging of loader bucket attachments within seconds by operating a single lever, spanner is not required.

SPECIFICATIONS	1.5 CUM HIGH VOLUME BOOSTER BUCKET	HDHV BUCKET	BALE GRABBER	STANDARD BUCKET
	mm (Feet)	mm (Feet)	mm (Feet)	mm (Feet)
O LOADER HINGE PIN HEIGHT	4560 (15)	4560 (15)	4560 (15)	4560 (15)
N LOADER OVER HEIGHT	5076 (16.7)	4860 (15.9)	4400 (14.4)	4400 (14.4)
M DUMP HEIGHT AT 45°	4712 (15.4)	4590 (15.5)	3419 (11.2)	3768 (12.4)
S REACH AT FULL HEIGHT 45° DUMP	1794.5 (5.88)	1798 (5.89)	1838 (6)	1347.5 (4.4)
C REACH AT GROUND	3148 (10.35)	2953 (9.6)	3177 (10.4)	2700 (8.88)
V DUMP ANGLE	48°	48°	48°	48°
U ROLL BACK AT GROUND	68°	56°	45°	68.3°



APPLICATIONS - BULL ULTRA



Ultra loader for husk handling



Ultra loader for husk loading in truck



Ultra loader for loose cotton handling



Ultra loader for wood handling

Dealer: **BULL MACHINES PVT.LTD.,**
Trichy Road, Coimbatore - 641 103, INDIA
Ph: 0422 - 658 6677, 658 6655, Fax: 0422 - 2270955 / 2270712,
Cell: 098422 87770 / E-mail: sales@bullmachine.com.
Marketing H.O.:
H - 101, Sector - 63, Noida - 201 301.
Tel: 0120 - 325 6574, 4751 333 (7 lines) Telefax: 2427 165,
Cell: 093120 69285 / E-mail: dro@bullmachine.com



More than 100 spares & service points across INDIA

www.bullindia.com

*for trailer application water ballast and wheel weights are compulsory

BULL
India's No.1
Tractor Attachments

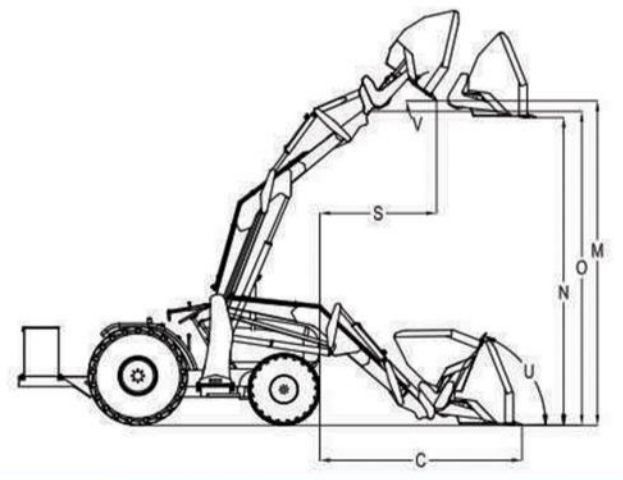


Optional Interchangeable Loader Bucket Attachments (39 Types)



Salient Features of Ultra Loader

- > Heavy Duty Loader.
- > 360° Operator visibility.
- > 3-D positional valve mechanism for enhanced operator comfort.
- > Loader detachable from the tractor within 5 minutes.
- > Sturdy and elegant construction.
- > Wear bushes & pins provided in all joints.
- > Low diesel consumption.
- > BQRSL Mechanism : Enables exchanging of loader bucket attachments within seconds by operating a single lever, spanner is not required.



BULL MACHINES PVT.LTD.,
Trichy Road, Coimbatore - 641 103, INDIA
Ph: 0422 - 658 6677, 658 6655, Fax: 0422 - 2270955 / 2270712,
Cell: 098422 87770 / E-mail: sales@bullmachine.com.
Marketing H.O.:
H - 101, Sector - 63, Noida - 201 301.
Tel: 0120 - 325 6574, 4751 333 (7 lines) Telefax: 2427 165,
Cell: 093120 69285 / E-mail: dro@bullmachine.com

www.bullindia.com